

GXA 系列強力工業風扇

- 備有450及500mm兩款尺寸。
- 單相電機，電容輔助起動，及配備三速開關制。
- 全新馬達防水防塵級數為IP 44，E級絕緣，內置恆溫器保護裝置。
- 220 - 240 V, 1 Ph, 50 Hz。
- 扇葉採用鋁材板沖壓而成。扇葉均進行嚴謹的平衡工序。
- 金屬風扇網外表經靜電噴塗處理，美觀耐用。
- 風扇搖擺角度特大，並可自行調整。
- 配備可調高度之直通，堅固的鐵地腳及4.5米長之3芯電源線。
- 風扇流量及噪音數據，均由美國風機協會代為檢測。



FW-GXA

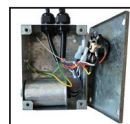


FS-GXA
座地扇

- 所有座地扇均配備可調高度之直通，堅固的鐵地腳及4.5米電源線。



GXH



GXT

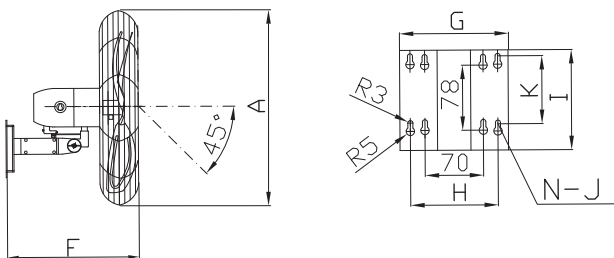
掛牆扇

- 所有掛牆扇均配備掛牆鐵支架成套。
- 為方便用戶安全使用，榮通公司備有以下外置電容器系列：
 - (GXH) 掛牆扇，該掛牆扇之調速器及電容器均安裝在獨立外置線盒，線盒兩端均有電源線連接。
 - (GXT) 掛牆扇，該掛牆扇之電容器均安裝在獨立外置線盒內，外置線盒並牢固地固定在電機外殼上。
- (GXH) 及 (GXT) 電容器均符合以下特性：
 1. 符合 EN60252-1 標準
 2. 安全防護等級 S2、Class A (400Vac 時 > 30000 小時)
 3. 全金屬外殼

技術參數

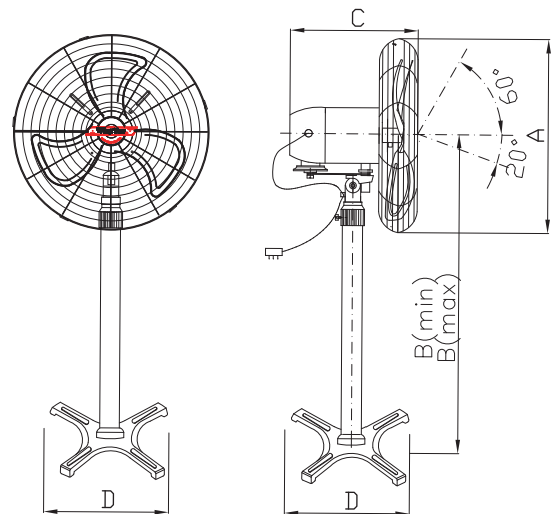
型號 (香港規格)	型號說明	扇葉直徑 inch/mm	電機功率 W	最高轉速 RPM	最高風量 m ³ /h	最高噪音 dB (A)
FS45GXA	座地密網扇	18" / 450	115	1360	5000	59
FS50GXA		20" / 500	125	1360	6500	63
FW45GXA	掛牆密網扇	18" / 450	115	1360	5000	59
FW50GXA		20" / 500	125	1360	6500	63
FW45GXH	外置開關掛牆扇 鐵支架	18" / 450	115	1360	5000	59
FW50GXH		20" / 500	125	1360	6500	63
FW45GXT	外置電容掛牆扇 鐵支架	18" / 450	115	1360	5000	59
FW50GXT		20" / 500	125	1360	6500	63

■ 掛牆扇安裝尺寸 (mm)



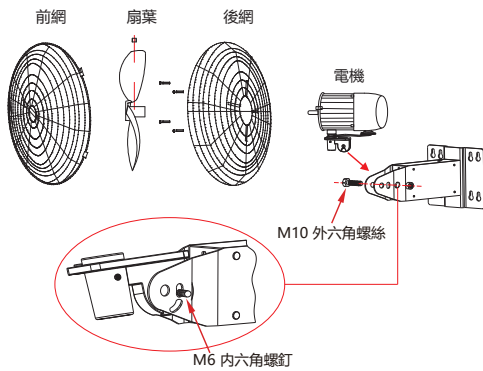
Model No	A	F	G	H	I	K	N-J
FW45GXA/GXH/GXT	508	425	130	105	120	80	8-φ6
FW50GXA/GXH/GXT	568	415	130	105	120	80	8-φ6

■ 座地扇安裝尺寸 (mm)

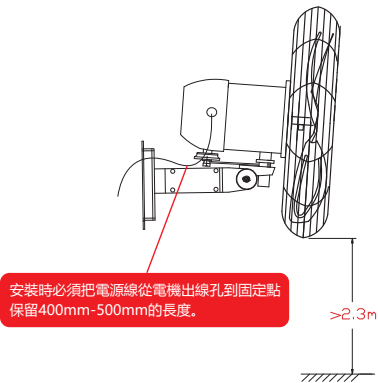


Model No	A	B(MAX)	B(MIN)	C	D
FS45GXA	508	1250	1025	315	545
FS50GXA	568	1250	1025	305	545

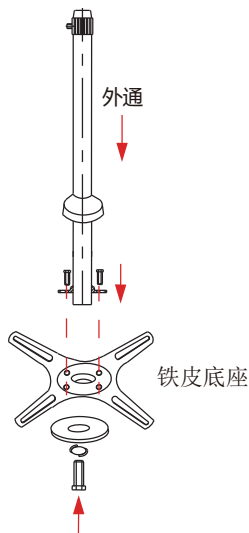
掛牆扇安裝說明



- ① 將鐵支架安裝在牆壁上（掛牆扇高度與地面距離至少2.3米），並固緊。
- ② 將電機安裝在鐵支架上，並用M10外六角螺絲固緊。
- ③ 調整M6內六角螺絲，可固定好電機俯仰角度。
- ④ 將後網用電機上的四個M6螺絲固緊，再裝入扇葉並固緊（扇葉螺絲須固緊在電機轉軸凹槽內），然後裝上前網並扣緊。

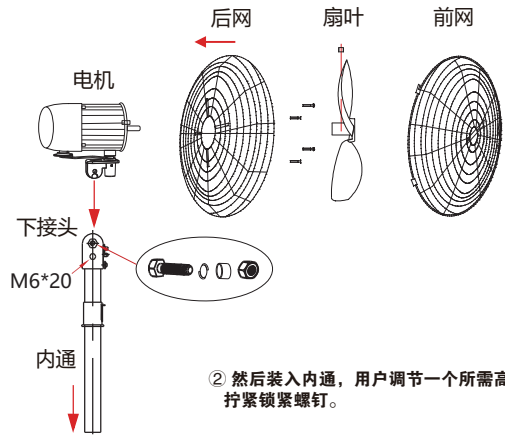


座地扇安裝說明



- ① 先将外通装入铁皮底座里，将上面的4-M6螺丝旋紧，再旋紧底部在大螺丝（加大平垫和弹垫）。

图 1



- ② 然后装入内通，用户调节一个所需高度后，拧紧锁紧螺钉。

- ③ 将电机装入下接头内，用紧固螺丝收紧电机，（螺丝顺序如图所示，铁司有花一头朝内）。
- ④ 电机收紧后，一定要把 M6*20的螺丝旋紧，以防带网罩的电机头下倾！！
- ⑤ 将后网用四个M6的螺丝紧固，再装入叶片，用内六角螺丝把叶固定紧，然后装上前网。

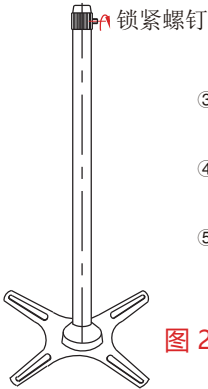


图 2



Product Service

Attestation of Conformity

No. N8A 072582 0043 Rev. 00

Holder of Attestation: **Sam Hing Cheung Fans
And Equipment Limited**
Flat B, 1/F., Kam Shing Industrial Building
1-11 Kwai Wing Road
Kwai Chung
HONG KONG

Product: **Fans
(Stand Fan / Wall Fan)**

This Attestation of Conformity is issued on a voluntary basis according to the Low Voltage Directive 2014/35/EU relating to electrical equipment designed for use within certain voltage limits. It confirms that the listed equipment complies with the principal protection requirements of the directive and is based on the technical specifications applicable at the time of issuance. It refers only to the particular sample submitted for conformity assessment. For details see: www.tuvsud.com/ps-cert

Test report no.: 681101301908

Date, 2023-09-15

(Kelvin Zeng)

Page 1 of 3

This Attestation does not replace the regulatory EU Declaration of Conformity (DoC) and does not allow for CE marking. After preparation of the necessary documentation and establishing compliance to requirements of all applicable directives, the manufacturer may sign a DoC and apply the CE marking. The DoC is issued under the sole responsibility of the manufacturer.



TÜV SÜD Product Service GmbH • Ridlerstraße 65 • 80339 Munich • Germany



Product Service

Attestation of Conformity

No. N8A 072582 0043 Rev. 00

Model(s):

FS50GA, FS50GXA, FS51GA, FS51GXA, FS50GB, FS50GXB, FS51GB, FS51GXB, FS50GC, FS50GXC, FS51JA, FS51XA, FS51JB, FS51XB, FS51JC, FS51XC, FS45GA, FS45GXA, FS46GA, FS46GXA, FS45GB, FS45GXB, FS46GB, FS46GXB, FW50GA, FW50GXA, FW51GA, FW51GXA, FW50GB, FW50GXB, FW51GB, FW51GXB, FW50GC, FW50GXC, FW51GC, FW51GXC, FW50GD, FW50GXD, FW51GD, FW51GXD, FW50GE, FW50GXE, FW51GE, FW51GXE, FW50GH, FW50GXH, FW51GH, FW51GXH, FW50GF, FW50GXF, FW51GF, FW51GXF, FW50GJ, FW50GXJ, FW51GJ, FW51GXJ, FW50GK, FW50GXK, FW51GK, FW51GXK, FW50GT, FW50GXT, FW51GT, FW51GXT, FW50GV, FW50GXV, FW51GV, FW51GXV, FW50GW, FW50GXW, FW51JA, FW51XA, FW51JB, FW51XB, FW51JC, FW51XC, FW51JD, FW51XD, FW51JR, FW51XR, FW51JS, FW51XS, FW45GA, FW45GXA, FW46GA, FW46GXA, FW45GB, FW45GXB, FW46GB, FW46GXB, FW45GC, FW45GXC, FW46GC, FW46GXC, FW45GD, FW45GXD, FW46GD, FW46GXD, FW45GE, FW45GXE, FW46GE, FW46GXE, FW45GH, FW45GXH, FW46GH, FW46GXH, FW45GT, FW45GXT, FW46GT, FW46GXT, FW45GV, FW45GXV, FW46GV, FW46GXV, FW45GW, FW45GXW, FW46GW, FW46GXW

Brand:

Wing Ton



Parameters:

Rated Input: 220-240VAC, 50Hz,
(See next page for details)
Protection Class: I
Degree of Protection: IPX0

Tested according to:

EN 60335-2-80:2003/A2:2009
EN 60335-1:2012/A15:2021
EN 62233:2008

Page 2 of 3

This Attestation does not replace the regulatory EU Declaration of Conformity (DoC) and does not allow for CE marking. After preparation of the necessary documentation and establishing compliance to requirements of all applicable directives, the manufacturer may sign a DoC and apply the CE marking. The DoC is issued under the sole responsibility of the manufacturer.



TÜV SÜD Product Service GmbH • Ridlerstraße 65 • 80339 Munich • Germany



Product Service

Attestation of Conformity

No. N8A 072582 0043 Rev. 00

Model No.	Rated Input
FS50GA, FS50GXA, FS51GA, FS51GXA, FS50GB, FS50GXB FS51GB, FS51GXB, FS50GC, FS50GXC, FW50GA, FW50GXA FW51GA, FW51GXA, FW50GB, FW50GXB, FW51GB, FW51GXB FW50GC, FW50GXC, FW51GC, FW51GXC, FW50GD, FW50GXD FW51GD, FW51GXD, FW50GE, FW50GXE, FW51GE, FW51GXE FW50GH, FW50GXH, FW51GH, FW51GXH, FW50GF, FW50GXF FW51GF, FW51GXF, FW50GJ, FW50GXJ, FW51GJ, FW51GXJ FW50GK, FW50G XK, FW51GK, FW51GXK, FW50GT, FW50GXT FW51GT, FW51GXT, FW50GV, FW50GXV, FW51GV, FW51GXV FW50GW, FW50GXW	125W/ 0.51A
FS51JA, FS51XA, FS51JB, FS51XB, FS51JC, FS51XC, FW51JA FW51XA, FW51JB, FW51XB, FW51JC, FW51XC, FW51JD FW51XD, FW51JR, FW51XR, FW51JS, FW51XS	140W/ 0.68A
FS45GA, FS45GXA, FS46GA, FS46GXA, FS45GB, FS45GXB FS46GB, FS46GXB, FW45GA, FW45GXA, FW46GA, FW46GXA FW45GB, FW45GXB, FW46GB, FW46GXB, FW45GC, FW45GXC FW46GC, FW46GXC, FW45GD, FW45GXD, FW46GD, FW46GXD FW45GE, FW45GXE, FW46GE, FW46GXE, FW45GH, FW45GXH FW46GH, FW46GXH, FW45GT, FW45GXT, FW46GT, FW46GXT FW45GV, FW45GXV, FW46GV, FW46GXV, FW45GW, FW45GXW FW46GW, FW46GXW	115W/ 0.48A

Page 3 of 3

This Attestation does not replace the regulatory EU Declaration of Conformity (DoC) and does not allow for CE marking. After preparation of the necessary documentation and establishing compliance to requirements of all applicable directives, the manufacturer may sign a DoC and apply the CE marking. The DoC is issued under the sole responsibility of the manufacturer.



TÜV SÜD Product Service GmbH • Ridlerstraße 65 • 80339 Munich • Germany

TEST REPORT IEC 60529	
Degrees of protection provide by enclosure(IP code)	
Report Number.....	Q02A23080013Q00101
Date of issue.....	2023-08-07
Total number of pages.....	9 pages
Name of Testing Laboratory preparing the Report.....	Guangdong Meide Testing Technology Co., Ltd.
Applicant's name.....	FOSHAN SHUNDE SAM HING CHEUNG FANS AND EQUIPMENT LIMITED.
Address.....	Building B1,Jiangyi Hongyu Industrial Park,Leliu Town,Shunde District,Foshan City,Guangdong Province.
Test specification:	
Standard.....	IEC 60529:1989+A1:1999+A2:2013
Test procedure.....	IP44 Test
Non-standard test method.....	N/A
Test Report Form No.....	02-Q024-1A
Test Report Form(s) Originator.....	GTG
Master TRF.....	Dated 2022-07-01
General disclaimer:	
The test results presented in this report relate only to the object tested. This report shall not be reproduced, except in full, without the written approval of the Testing Laboratory. The authenticity of this Test Report and its contents can be verified by contacting the GTG, responsible for this Test Report.	
Responsible Testing Laboratory (as applicable), testing procedure and testing location(s):	
<input checked="" type="checkbox"/> Testing Laboratory:	Guangdong Meide Testing Technology Co., Ltd.
Testing location/ address.....	1st Floor, Area B, Jinbaisheng Industrial Park, 2nd Road, Songshan Lake High-tech Industrial Development Zone, Dongguan City, Guangdong Pr., China.
Tested by (name, function, signature).....	Abel Chen Project handler
Reviewed by(name, function, signature).....	Louis Lu Reviewer
Approved by (name, function, signature)...:	Mo JiaKeng Authorized Signatory



Test item description :	Electric machinery	
Trade Mark :	WingTon	
Manufacturer :	FOSHAN SHUNDE SAM HING CHEUNG FANS AND EQUIPMENT LIMITED. Building B1, Jiangyi Hongyu Industrial Park, Leliu Town, Shunde District, Foshan City, Guangdong Province	
Model/Type reference :	FW45, FW50, FW51, FW63, FW65, FW75, FW76, FS45, FS50, FS51, , FS63, FS65, FS75, FS76	
Ratings :	0.115KW-0.22KW	
List of Attachments (including a total number of pages in each attachment): Attachment 1: Photo		
Summary of testing:		
Tests performed (name of test and test clause): IEC 60529:1989+A1:1999+A2:2013	Testing location: Guangdong Meide Testing Technology Co., Ltd. 1st floor, B Area, Jinbaisheng Industrial Park, Headquarters 2 Road, Songshan Lake Hi-tech Industrial Development Zone, Dongguan City, Guangdong Pr., China.	
Summary of compliance with National Differences: List of countries addressed N/A		
Copy of marking plate: The artwork below may be only a draft. The use of certification marks on a product must be authorized by the respective NCBs that own these marks. N/A		

Test item particulars..... :	
Classification of installation and use..... : /	
Supply Connection..... : /	
..... :	
Possible test case verdicts:	
- test case does not apply to the test object..... : N/A	
- test object does meet the requirement..... : P (Pass)	
- test object does not meet the requirement..... : F (Fail)	
Testing..... :	
Date of receipt of test item..... : 2023-08-01	
Date (s) of performance of tests..... : 2023-08-05	
General remarks:	
<p>"(See Enclosure #)" refers to additional information appended to the report. "(See appended table)" refers to a table appended to the report.</p> <p>Throughout this report a <input type="checkbox"/> comma / <input checked="" type="checkbox"/> point is used as the decimal separator.</p> <p>Clause numbers between brackets refer to clauses in IEC 60598-1</p>	
Manufacturer's Declaration per sub-clause 4.2.5 of IEC 60598-1:	
The application for obtaining a CB Test Certificate includes more than one factory location and a declaration from the Manufacturer stating that the sample(s) submitted for evaluation is (are) representative of the products from each factory has been provided..... :	<input type="checkbox"/> Yes <input checked="" type="checkbox"/> Not applicable
When differences exist; they shall be identified in the General product information section.	
Name and address of factory (ies)..... : FOSHAN SHUNDE SAM HING CHEUNG FANS AND EQUIPMENT LIMITED. Building B1, Jiangyi Hongyu Industrial Park, Leliu Town, Shunde District, Foshan City, Guangdong Province PROVINCE	
General product information:	
-- All models have the same IP protection structure, except for the model name and power. --Model selection :FW76 as the test model.	