

FD 系列商務地臺風扇

- 備有 300, 350, 400, 450, 及 500mm 五款尺寸。
- 風扇可調俯仰角度，並可隨意移動，使用方便。
- 所有型號均按 IEC60335-2-80 之標準檢測，並已領有歐盟安全認證。
- 金屬風扇網外表經靜電噴塗處理，美觀耐用。
- 扇葉採用鋁合金板沖壓，平衡技術校正，高速運轉平穩不變形。
- E 級絕緣，內置恆溫器保護裝置，節能靜音。
- 單相銅芯電機，電容器輔助起動，1/2/3 檔風隨意調節，風力強勁。
- 功率因數 (Power Factor) =0.97。

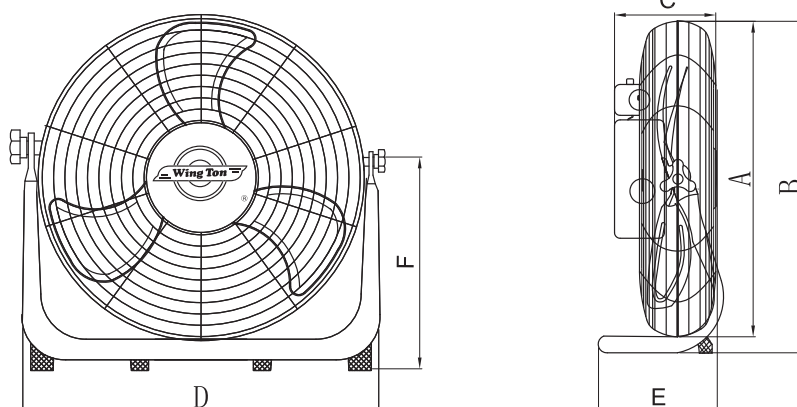


性能參數表

型號 (香港規格)	型號說明	扇葉直徑 inch/mm	額定電壓 V/Ph/Hz	電機功率 W	最高轉速 RPM	最高風量 m ³ /h	最高噪音 dB (A)
FD30	商務地臺扇	12" / 300	220-240/1/50	45	1300	2580	50
FD35	商務地臺扇	14" / 350	220-240/1/50	65	1300	3700	53
FD40	商務地臺扇	16" / 400	220-240/1/50	120	1400	4300	56
FD45	商務地臺扇	18" / 450	220-240/1/50	130	1400	4800	58
FD50	商務地臺扇	20" / 500	220-240/1/50	150	1400	6000	60

噪音值是在距離風扇2米測量

安裝尺寸 (mm)



Model No	A	B	C	D	E	F	G.W(kg)	Measurement
FD30	360	400	195	420	215	220	3.9	420x190x420
FD35	400	428	195	455	215	228	4.3	455x195x460
FD40	470	505	195	530	215	270	5.9	530x200x510
FD45	520	555	195	570	215	295	6.8	570x200x560
FD50	580	590	195	630	230	300	7.5	630x220x600

OPERATION INSTRUCTIONS

1. Voltage varies between countries. The local power supply must be compatible with the technical data shown on the motor data label before the fan is connected to the power source.
2. The plug must be inserted to an earthed socket, which complies with the Safety Regulation of the local authority.
3. For safety purpose, the wall fan is to be installed so that the blades are more than 2.3 metres above the floor.
4. For smooth oscillation of fans, a slack of 0.4m should be left when securing power cord from motor to stand tube or wall tube.(note tag on power cord).
5. For safety purpose, the recommended maximum height for the Pedestal unit is 1.25 meters. (Care must be taken during adjusting the height of the standing fan).
 - > Grip the rubber handle at the top of the inner tube
 - > Using the allen key provided unfasten the screws and adjust the fan to the desirable height.
 - > Tighten the screw and put the allen key back in its pocket at the rubber handle.
6. The fan is fitted with a 3-speed, on & off rotary switch to adjust air velocity (1-low, 2-medium, 3-high and stop/off fan operation).
7. Always turn off the power at the power point and remove plug when maintenance or cleaning is carried out. Failing to do so may cause electric shock or injury as the fan may activate suddenly.
8. When cleaning is carried out
 - > Turn off the power at the power point and remove the plug.
 - > Remove the front guard
 - > Remove the blade from the motor by loosening the blade fixing screw.
 - > Remove the rear guard.
 - > Remove dirt with a cloth moistened with lukewarm water or a household neutral detergent and wipe dry after cleaning.
 - > When re-assembling, use the reverse order of disassembling.Ensure impeller blade is secure and tight on motor shaft.
9. For the best performance and safety, the fan must not be used when:
 - a. Temperature is lower than -15°C or higher than $+40^{\circ}\text{C}$.
 - b. Humidity (at 25°C) is exceeding 90%.
 - c. In a corrosive environment, such as factory producing corrosive chemical.
10. Never try to disassemble, service or modify the fan.This may cause fire, abnormal activation, electric shock or injury. For servicing, contact the store where you purchased the fan.
11. Do not operate the fan without the blade and the guard installed. Doing so may cause injury.
12. Do not damage,forcibly bend, twist,pull or put a heavy object on the supply cord. Doing so may cause electric shock or a short circuit if used whilst damaged. If the supply cord is damaged, it must be replaced with a new cord by the manufacturer ,its service agent or similarly qualified persons in order to avoid a hazard.
13. The fan motor is fitted with a thermal protection device.
If a fault occurs, the fan may start and stop intermittently without warning. This may occur due to irregular power supply or excessively high ambient temperature. However if motor is faulty ,switch off immediately and return fan to the supplier or service agent.
14. This appliance is not intended for use by young children or infirm persons unless they have been adequately supervised by a responsible person to ensure that they can use the appliance safely.
15. Young children should be supervised to ensure that they do not play with the appliance.



Product Service

Attestation of Conformity

No. N8A 15 04 72582 008

Holder of Certificate: WING TON FAN INDUSTRY LIMITED

3C Kam Shing Industing
1-11 Kwai Wing Road
Kowloon
HONG KONG

Product: Fans
(Stand Fan)

Model(s): FD50, FD45, FD40, FD35, FD30

Parameters:
Rated Input : 220-240VAC, 50Hz,
See page 2 for details
Protection Class : I
Degree of Protection : IP20

Tested according to:
EN 60335-2-80:2003/A2:2009
EN 60335-1:2012/A11:2014
EN 62233:2008

This Attestation of Conformity is issued on a voluntary basis according to the Low Voltage Directive 2014/35/EU relating to electrical equipment designed for use within certain voltage limits. It confirms that the listed equipment complies with the principal protection requirements of the directive and is based on the technical specifications applicable at the time of issuance. It refers only to the particular sample submitted for testing and certification. See also notes overleaf.

Test report no.: 681101007202

Date, 2015-04-29 (Ryan Chan)



CE After preparation of the necessary technical documentation as well as the EU declaration of conformity the required CE marking can be affixed on the product. The declaration of conformity is issued under the sole responsibility of the manufacturer. Other relevant EU-directives have to be observed.

Page 1 of 2

IEC SYSTEM FOR MUTUAL RECOGNITION OF TEST CERTIFICATES FOR ELECTRICAL EQUIPMENT
(IECEE) CB SCHEME

CB TEST CERTIFICATE

Product

Fans
(Stand Fan)

Name and address of the applicant

**Sam Hing Cheung Fans
And Equipment Limited**
Flat B, 1/F., Kam Shing Industrial Building
1-11 Kwai Wing Road
Kwai Chung
HONG KONG

Name and address of the manufacturer

Sam Hing Cheung Fans And Equipment Limited
Flat B, 1/F., Kam Shing Industrial Building, 1-11 Kwai Wing Road,
Kwai Chung, HONG KONG

Name and address of the factory

**FOSHAN SHUNDE SAM HING CHEUNG FANS AND EQUIPMENT
LIMITED**
No.1 Building, No.1 Road Guangda Market, Leiliu Town, Shunde
District, 528322 Foshan, PEOPLE'S REPUBLIC OF CHINA

Ratings and principal characteristics

Rated Input : 220-240VAC, 50 Hz,
150W, 0.70A (for FD50),
140W, 0.65A (for FD45),
120W, 0.55A (for FD40),
65W, 0.30A (for FD35),
45W, 0.20A (for FD30)
Protection Class : I
Degree of Protection : IPX0

Model/type Ref.

FD50, FD45, FD40, FD35, FD30

A sample of the product was tested and found
to be in conformity with

IEC 60335-1:2010
IEC 60335-1:2010/AMD1:2013
IEC 60335-1:2010/AMD2:2016
IEC 60335-2-80:2015

as shown in the Test Report Ref. No.
which forms part of this certificate

211-700437-000

This CB Test Certificate is issued by the National Certification Body

CBS 072582 0036 Rev. 00

Date, 2019-07-17

(Shaochang Liu)

Page 1 of 2

TÜV SÜD PSB Pte Ltd • 1 Science Park Drive • Singapore 118221



PSB Singapore