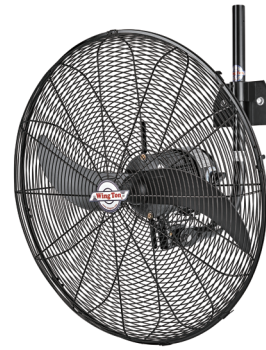


EXTREME 系列強力工業風扇



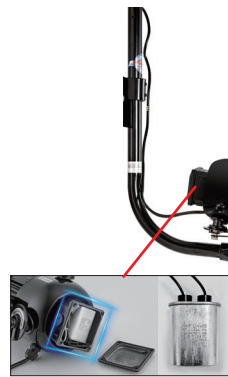
- 備有 510, 630 及 760mm 三款尺寸。
- 單相電機，電容輔助起動，及配備三速開關制。
- 全新馬達防水防塵級數為 IP 44，E 級絕緣，內置恆溫器保護裝置。
- 220 - 240 V, 1 Ph, 50 Hz。
- 扇葉採用鋁合金壓鑄沖壓而成。扇葉均進行嚴謹的平衡工序。
- 金屬風扇網外表經靜電噴塗處理，美觀耐用。
- 風扇搖擺角度特大，並可自行調整。
- 配備可調高度之直通，堅固的鐵地腳及 4.5 米長之 3 芯電源線。
- 風扇流量及噪音數據，均由美國風機協會代為檢測。



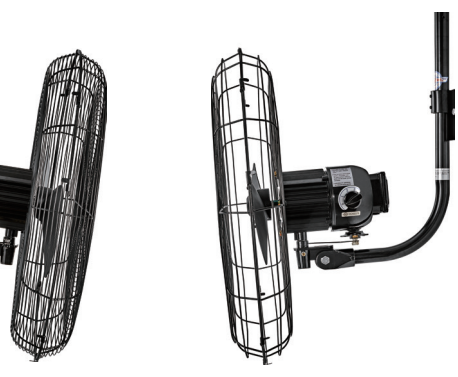
XA



XB



XR



XS



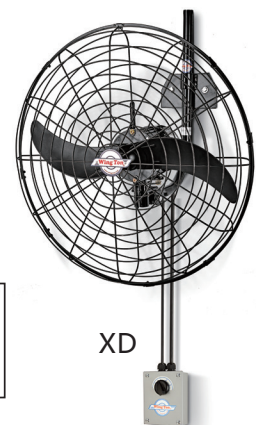
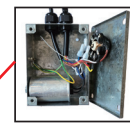
XC

座地扇

- 備有標準版 (XC) 及至尊版 (XB)。
- 所有座地扇均配備可調高度之直通，堅固的鐵地腳及 4.5 米電源線。



XC



XD

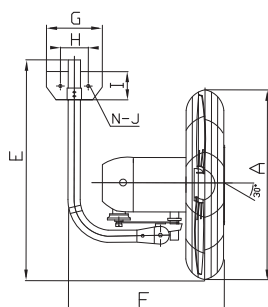
掛牆扇

- 備有安全網 (XA) 及普通網 (XB)。並配備彎通連板成套。
- 為方便用戶安全使用，榮通公司備有以下外置電容器系列：
 - (XC) 及 (XD) 掛牆扇，該掛牆扇之調速器及電容器均安裝在獨立外置線盒，線盒兩端均有電源線連接。
 - (XR) 及 (XS) 掛牆扇，該掛牆扇之電容器均安裝在獨立外置線盒內，外置線盒並牢固地固定在電機外殼上。
- (XC)、(XD)、(XR) 及 (XS) 電容器均符合以下特性：
 1. 符合 EN60252-1 標準
 2. 安全防護等級 S2、Class A (400Vac 時 > 30000 小時)
 3. 全金屬外殼

技術參數

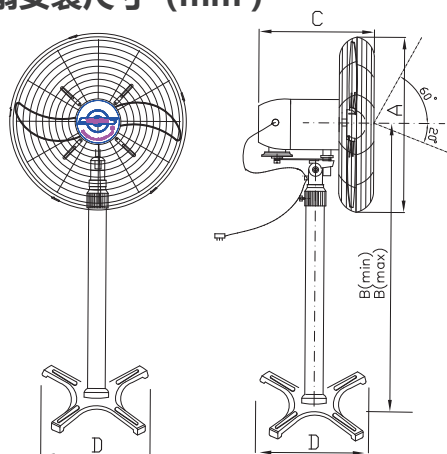
型號 (香港規格)	型號說明	扇葉直徑 inch/mm	電機功率 W	最高轉速 RPM	最高風量 m ³ /h	最高噪音 dB (A)
FS51XC	密網座地扇	20" / 510	140	1400	6800	65
FS63XC		25" / 630	170	1400	11800	68
FS76XC		30" / 760	220	1400	13000	73
FW51XA	密網掛牆扇	20" / 510	140	1400	6800	65
FW63XA		25" / 630	170	1400	11800	68
FW76XA		30" / 760	220	1400	13000	73
FW51XB	疏網掛牆扇	20" / 510	140	1400	6800	65
FW63XB		25" / 630	170	1400	11800	68
FW51XC	外置開關 密網掛牆扇	20" / 510	140	1400	6800	65
FW63XC		25" / 630	170	1400	11800	68
FW76XC		30" / 760	220	1400	13000	73
FW51XD	外置開關 疏網掛牆扇	20" / 510	140	1400	6800	65
FW63XD		25" / 630	170	1400	11800	68
FW51XR	外置電容 密網掛牆扇	20" / 510	140	1400	6800	65
FW63XR		25" / 630	170	1400	11800	68
FW76XR		30" / 760	220	1400	13000	73
FW51XS	外置電容 疏網掛牆扇	20" / 510	140	1400	6800	65
FW63XS		25" / 630	170	1400	11800	68

■ 掛牆扇安裝尺寸 (mm)



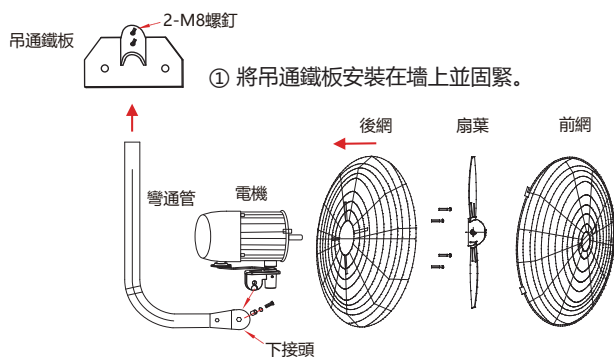
DIAMETERS	A	E	F	G	H	I	N-J
510mm	568	725	490	190	113	111	2-φ12.5
630mm	689	785	530	190	113	111	2-φ12.5
760mm	810	850	520	190	113	111	2-φ12.5

■ 座地扇安裝尺寸 (mm)



DIAMETERS	A	B(MAX)	B(MIN)	C	D
510mm	568	1250	1025	310	545
630mm	689	1500	1270	345	665
760mm	810	1500	1270	325	665

掛牆扇安裝說明



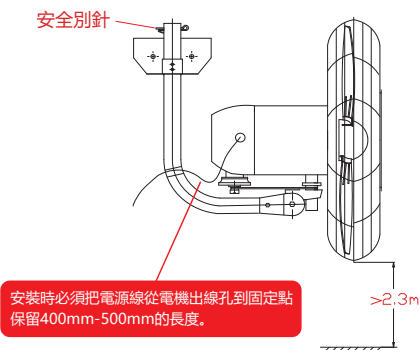
① 將吊通鐵板安裝在牆上並固緊。

② 插入彎通管，調整掛牆扇的高度（與地面距離至少2.3米），將螺釘固緊彎通管。

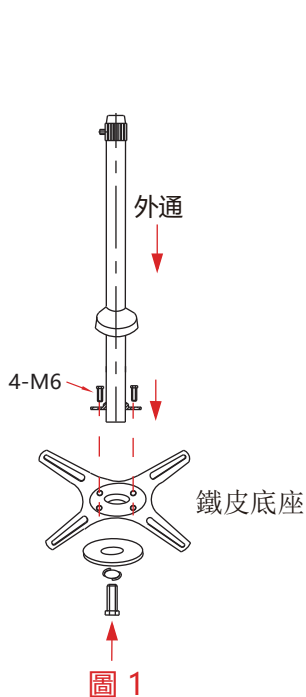
③ 將電機裝入下接頭內，並用螺絲固緊。

④ 將後網用四個M6的螺絲緊固，再裝入扇葉，用內六角螺絲把扇葉固定緊，然後裝上前網並扣緊。

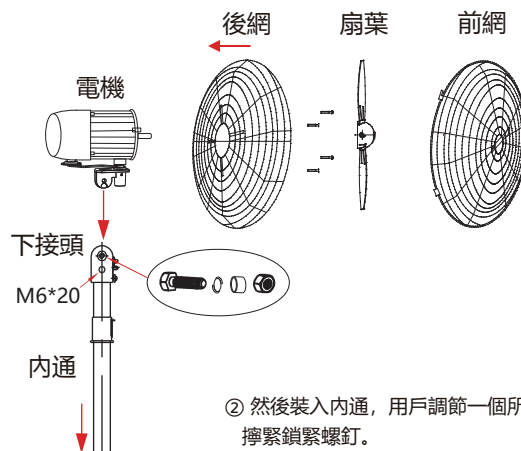
⑤ 將安全別針插入彎通管內並展開（防止風扇墜落）。



座地扇安裝說明



① 先將外通裝入鐵皮底座裡，將上面的4粒M6螺絲旋緊，再旋緊底部在大螺絲（加大平墊和彈墊），圖1示。



② 然後裝入內通，用戶調節一個所需高度後，擰緊鎖緊螺釘。

③ 將電機裝入下接頭內，用緊固螺絲收緊電機，（螺絲順序如圖所示，鐵司有花一頭朝內）。

④ 電機收緊後，一定要把 M6*20 的螺絲旋緊，以防帶網罩的電機頭下傾！！

⑤ 將後網用四個M6的螺絲緊固，再裝入扇葉，用內六角螺絲把扇葉固定緊，然後裝上前網並扣緊。

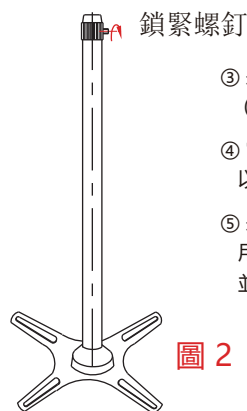


圖 2



Product Service

Attestation of Conformity

No. N8A 072582 0042 Rev. 00

Holder of Attestation: **Sam Hing Cheung Fans
And Equipment Limited**
Flat B, 1/F., Kam Shing Industrial Building
1-11 Kwai Wing Road
Kwai Chung
HONG KONG

Product: **Fans
(Stand Fan / Wall Fan)**

This Attestation of Conformity is issued on a voluntary basis according to the Low Voltage Directive 2014/35/EU relating to electrical equipment designed for use within certain voltage limits. It confirms that the listed equipment complies with the principal protection requirements of the directive and is based on the technical specifications applicable at the time of issuance. It refers only to the particular sample submitted for conformity assessment. For details see: www.tuvsud.com/ps-cert

Test report no.: 68110914210

Date, 2023-09-15

(Kelvin Zeng)

Page 1 of 3

This Attestation does not replace the regulatory EU Declaration of Conformity (DoC) and does not allow for CE marking. After preparation of the necessary documentation and establishing compliance to requirements of all applicable directives, the manufacturer may sign a DoC and apply the CE marking. The DoC is issued under the sole responsibility of the manufacturer.



TÜV SÜD Product Service GmbH • Ridlerstraße 65 • 80339 Munich • Germany



Product Service

Attestation of Conformity

No. N8A 072582 0042 Rev. 00

Model(s):

FS50JA, FS50XA, FS50JB, FS50XB, FS50JC, FS50XC,
 FS65JA, FS65XA, FS65JB, FS65XB, FS65JC, FS65XC,
 FS75JA, FS75XA, FS75JB, FS75XB, FS75JC, FS75XC,
 FS63JA, FS63XA, FS63JB, FS63XB, FS63JC, FS63XC,
 FS76JA, FS76XA, FS76JB, FS76XB, FS76JC, FS76XC,
 FW50JA, FW50XA, FW50JC, FW50XC, FW50JB, FW50XB,
 FW50JD, FW50XD, FW50JE, FW50XE, FW50JF, FW50XF,
 FW50JR, FW50XR, FW50JS, FW50XS, FW65JA, FW65XA,
 FW65JC, FW65XC, FW65JB, FW65XB, FW65JD, FW65XD,
 FW65JE, FW65XE, FW65JF, FW65XF, FW65JR, FW65XR,
 FW65JS, FW65XS, FW75JA, FW75XA, FW75JC, FW75XC,
 FW75JB, FW75XB, FW75JD, FW75XD, FW75JE, FW75XE,
 FW75JF, FW75XF, FW75JR, FW75XR, FW76JA, FW76XA,
 FW76JC, FW76XC, FW76JB, FW76XB, FW76JR, FW76XR,
 FW63JA, FW63XA, FW63JC, FW63XC, FW63JB, FW63XB,
 FW63JD, FW63XD, FW63JR, FW63XR, FW63JS, FW63XS

Brand:

Wing Ton



Parameters:

Rated Input: 220-240VAC, 50Hz,
 (See next page for details)
 Protection Class: I
 Degree of Protection: IPX0

Tested according to:

EN 60335-2-80:2003/A2:2009
 EN 60335-1:2012/A15:2021
 EN 62233:2008

Page 2 of 3

This Attestation does not replace the regulatory EU Declaration of Conformity (DoC) and does not allow for CE marking. After preparation of the necessary documentation and establishing compliance to requirements of all applicable directives, the manufacturer may sign a DoC and apply the CE marking. The DoC is issued under the sole responsibility of the manufacturer.



TUV®

TÜV SÜD Product Service GmbH • Ridlerstraße 65 • 80339 Munich • Germany



Product Service

Attestation of Conformity

No. N8A 072582 0042 Rev. 00

Model No.	Rated Input
FS50JA, FS50XA, FS50JB, FS50XB, FS50JC, FS50XC, FW50JA FW50XA, FW50JC, FW50XC, FW50JB, FW50XB, FW50JD, FW50XD FW50JE, FW50XE, FW50JF, FW50XF, FW50JR, FW50XR, FW50JS FW50XS	140W/ 0.68A
FS63JA, FS63XA, FS63JB, FS63XB, FS63JC, FS63XC, FW63JA FW63XA, FW63JC, FW63XC, FW63JB, FW63XB, FW63JD, FW63XD FW63JR, FW63XR, FW63JS, FW63XS	170W/ 0.80A
FS65JA, FS65XA, FS65JB, FS65XB, FS65JC, FS65XC, FW65JA FW65XA, FW65JC, FW65XC, FW65JB, FW65XB, FW65JD, FW65XD, FW65JE, FW65XE, FW65JF, FW65XF, FW65JR, FW65XR, FW65JS FW65XS	180W/ 0.85A
FS75JA, FS75XA, FS75JB, FS75XB, FS75JC, FS75XC, FS76JA FS76XA, FS76JB, FS76XB, FS76JC, FS76XC, FW75JA, FW75XA FW75JC, FW75XC, FW75JB, FW75XB, FW75JD, FW75XD, FW75JE FW75XE, FW75JF, FW75XF, FW75JR, FW75XR, FW76JA, FW76XA FW76JC, FW76XC, FW76JB, FW76XB, FW76JR, FW76XR	220W/ 1.00A

Page 3 of 3

This Attestation does not replace the regulatory EU Declaration of Conformity (DoC) and does not allow for CE marking. After preparation of the necessary documentation and establishing compliance to requirements of all applicable directives, the manufacturer may sign a DoC and apply the CE marking. The DoC is issued under the sole responsibility of the manufacturer.



TÜV SÜD Product Service GmbH • Ridlerstraße 65 • 80339 Munich • Germany

TEST REPORT IEC 60529	
Degrees of protection provide by enclosure(IP code)	
Report Number.....	Q02A23080013Q00101
Date of issue.....	2023-08-07
Total number of pages.....	9 pages
Name of Testing Laboratory preparing the Report.....	Guangdong Meide Testing Technology Co., Ltd.
Applicant's name.....	FOSHAN SHUNDE SAM HING CHEUNG FANS AND EQUIPMENT LIMITED.
Address.....	Building B1,Jiangyi Hongyu Industrial Park,Leliu Town,Shunde District,Foshan City,Guangdong Province.
Test specification:	
Standard.....	IEC 60529:1989+A1:1999+A2:2013
Test procedure.....	IP44 Test
Non-standard test method.....	N/A
Test Report Form No.....	02-Q024-1A
Test Report Form(s) Originator.....	GTG
Master TRF.....	Dated 2022-07-01
General disclaimer:	
The test results presented in this report relate only to the object tested. This report shall not be reproduced, except in full, without the written approval of the Testing Laboratory. The authenticity of this Test Report and its contents can be verified by contacting the GTG, responsible for this Test Report.	
Responsible Testing Laboratory (as applicable), testing procedure and testing location(s):	
<input checked="" type="checkbox"/> Testing Laboratory:	Guangdong Meide Testing Technology Co., Ltd.
Testing location/ address.....	1st Floor, Area B, Jinbaisheng Industrial Park, 2nd Road, Songshan Lake High-tech Industrial Development Zone, Dongguan City, Guangdong Pr., China.
Tested by (name, function, signature).....	Abel Chen Project handler
Reviewed by(name, function, signature).....	Louis Lu Reviewer
Approved by (name, function, signature)...:	Mo JiaKeng Authorized Signatory



Test item description :	Electric machinery	
Trade Mark :	WingTon	
Manufacturer :	FOSHAN SHUNDE SAM HING CHEUNG FANS AND EQUIPMENT LIMITED. Building B1,Jiangyi Hongyu Industrial Park,Leliu Town,Shunde District,Foshan City,Guangdong Province	
Model/Type reference :	FW45,FW50,FW51,FW63,FW65,FW75,FW76,FS45,FS50,FS51, ,FS63,FS65,FS75,FS76	
Ratings :	0.115KW-0.22KW	
List of Attachments (including a total number of pages in each attachment): Attachment 1: Photo		
Summary of testing:		
Tests performed (name of test and test clause): IEC 60529:1989+A1:1999+A2:2013	Testing location: Guangdong Meide Testing Technology Co., Ltd. 1st floor, B Area, Jinbaisheng Industrial Park, Headquarters 2 Road, Songshan Lake Hi-tech Industrial Development Zone, Dongguan City, Guangdong Pr., China.	
Summary of compliance with National Differences: List of countries addressed N/A		
Copy of marking plate: The artwork below may be only a draft. The use of certification marks on a product must be authorized by the respective NCBs that own these marks. N/A		

Test item particulars..... :	
Classification of installation and use..... : /	
Supply Connection..... : /	
..... :	
Possible test case verdicts:	
- test case does not apply to the test object..... : N/A	
- test object does meet the requirement..... : P (Pass)	
- test object does not meet the requirement..... : F (Fail)	
Testing..... :	
Date of receipt of test item..... : 2023-08-01	
Date (s) of performance of tests..... : 2023-08-05	
General remarks:	
"(See Enclosure #)" refers to additional information appended to the report. "(See appended table)" refers to a table appended to the report.	
Throughout this report a <input type="checkbox"/> comma / <input checked="" type="checkbox"/> point is used as the decimal separator.	
Clause numbers between brackets refer to clauses in IEC 60598-1	
Manufacturer's Declaration per sub-clause 4.2.5 of IEC 60598-1:	
The application for obtaining a CB Test Certificate includes more than one factory location and a declaration from the Manufacturer stating that the sample(s) submitted for evaluation is (are) representative of the products from each factory has been provided..... :	<input type="checkbox"/> Yes <input checked="" type="checkbox"/> Not applicable
When differences exist; they shall be identified in the General product information section.	
Name and address of factory (ies)..... : FOSHAN SHUNDE SAM HING CHEUNG FANS AND EQUIPMENT LIMITED. Building B1, Jiangyi Hongyu Industrial Park, Leliu Town, Shunde District, Foshan City, Guangdong Province PROVINCE	
General product information:	
-- All models have the same IP protection structure, except for the model name and power. --Model selection :FW76 as the test model.	